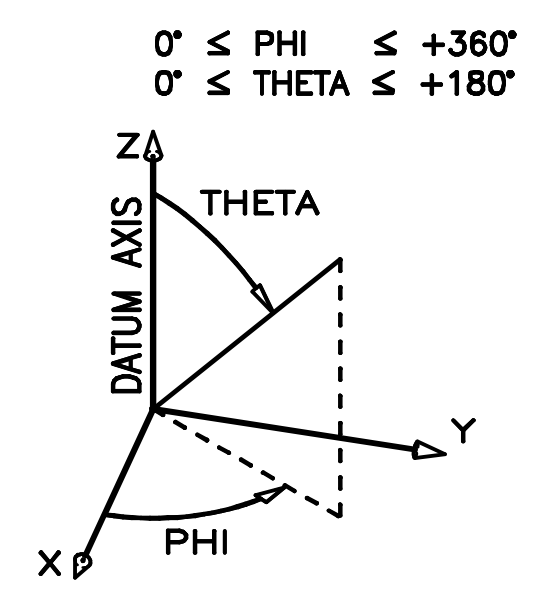
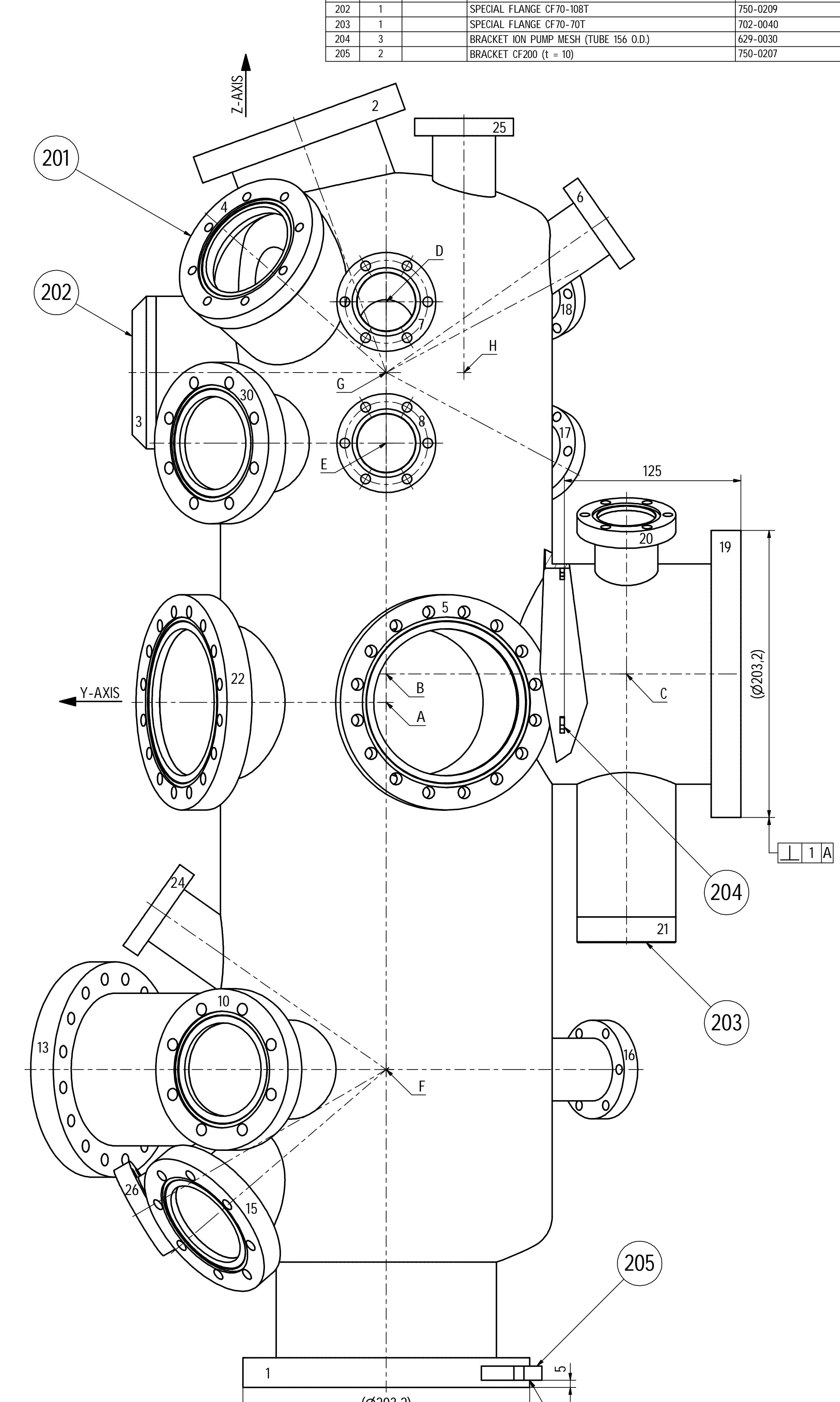
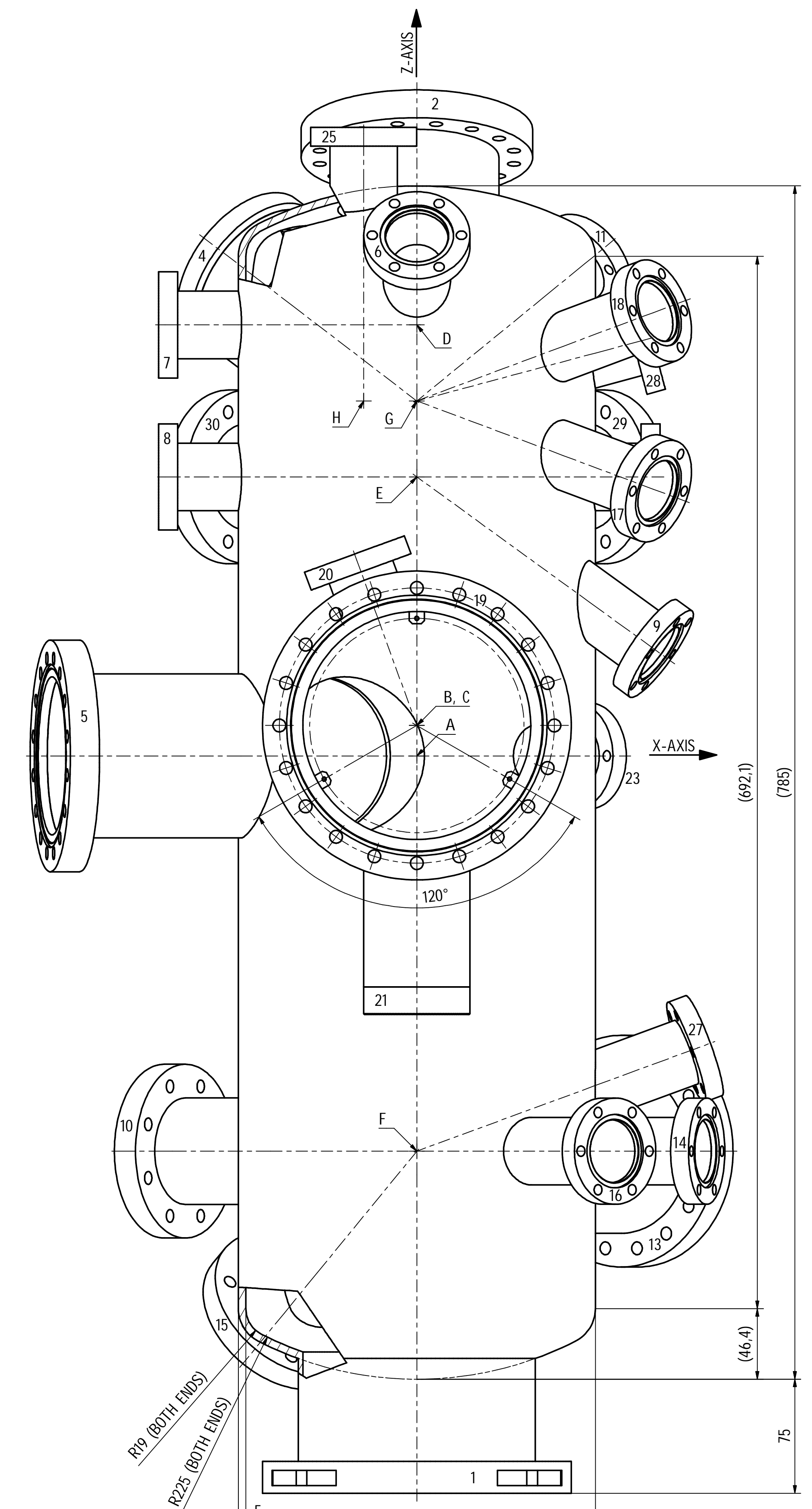
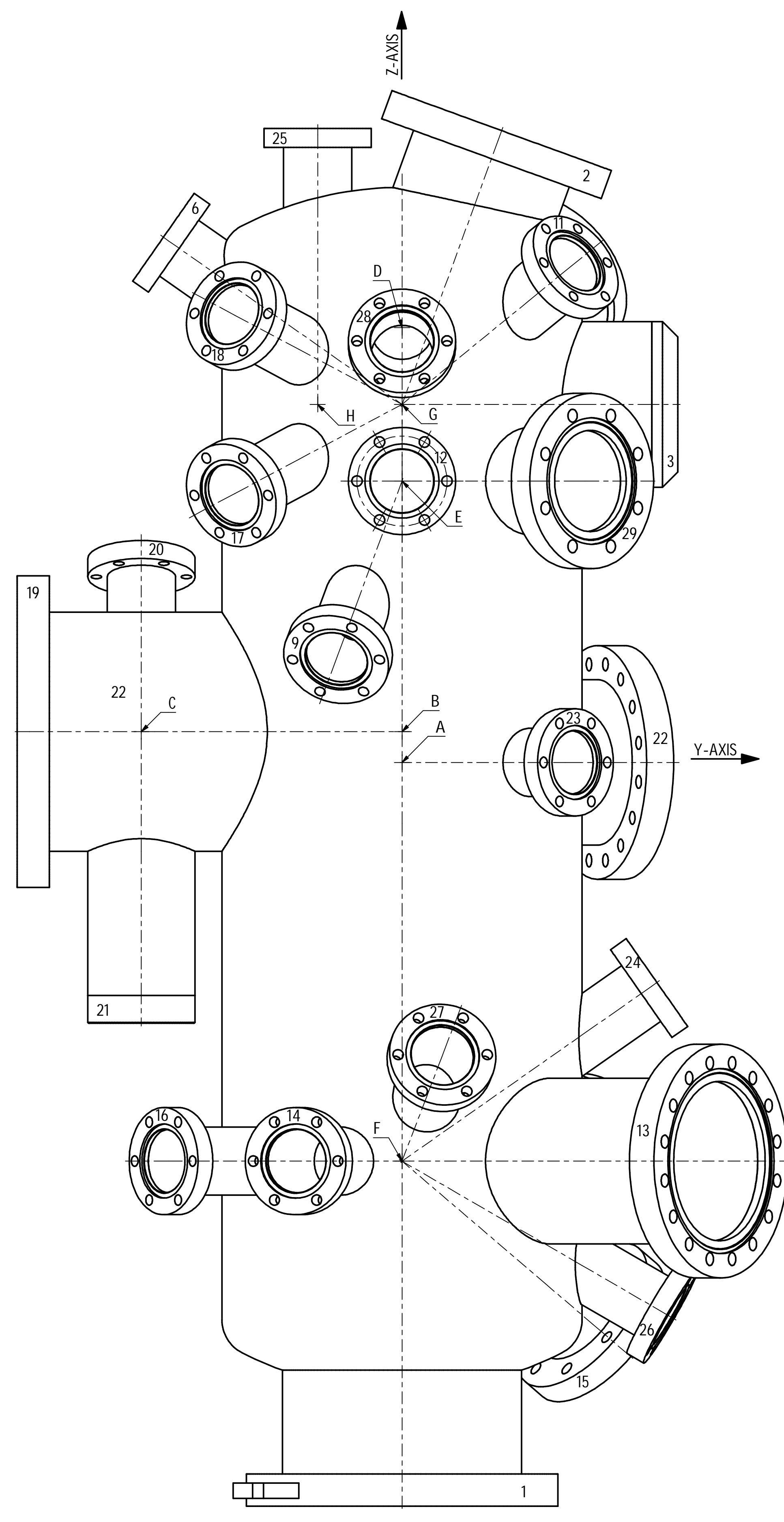
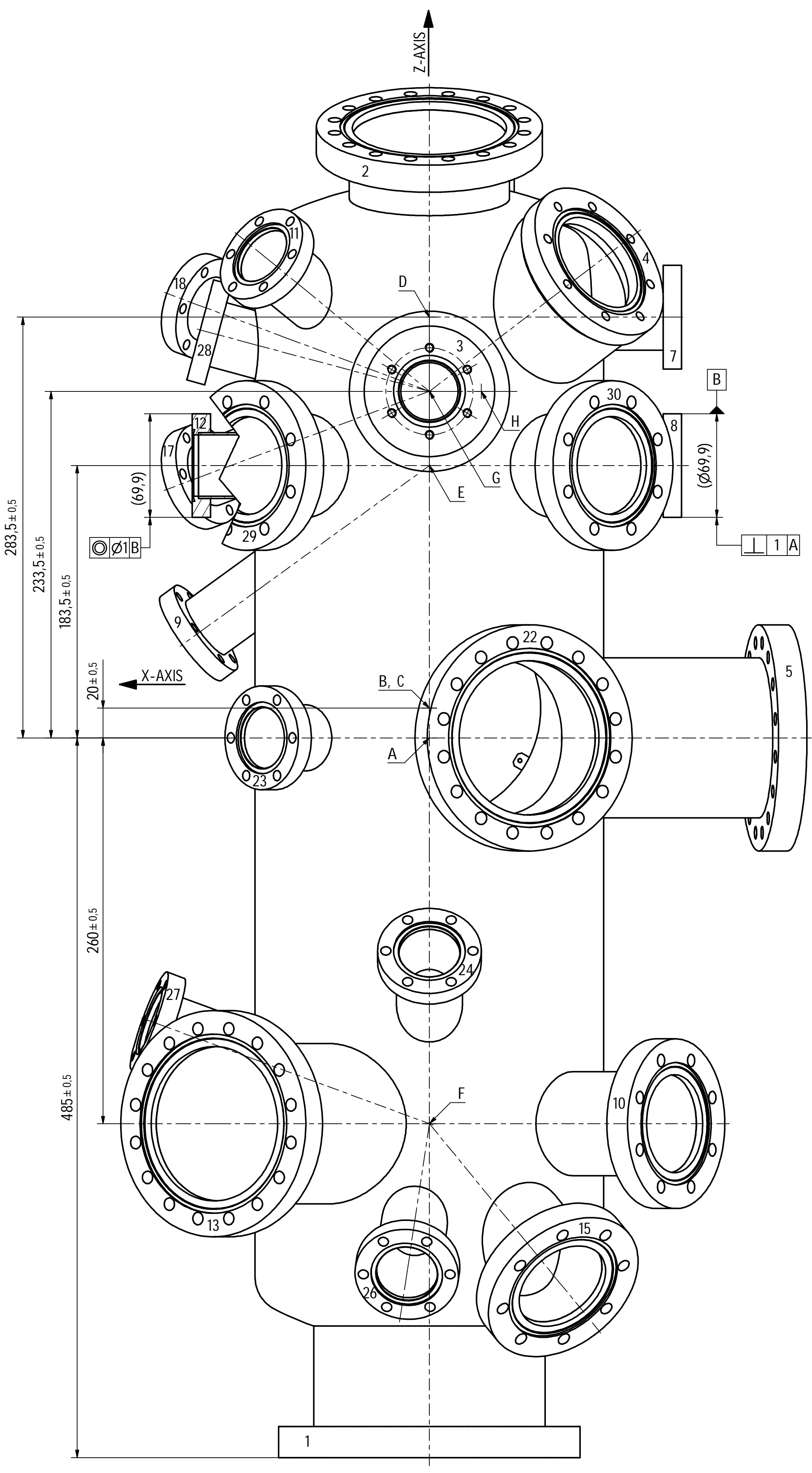
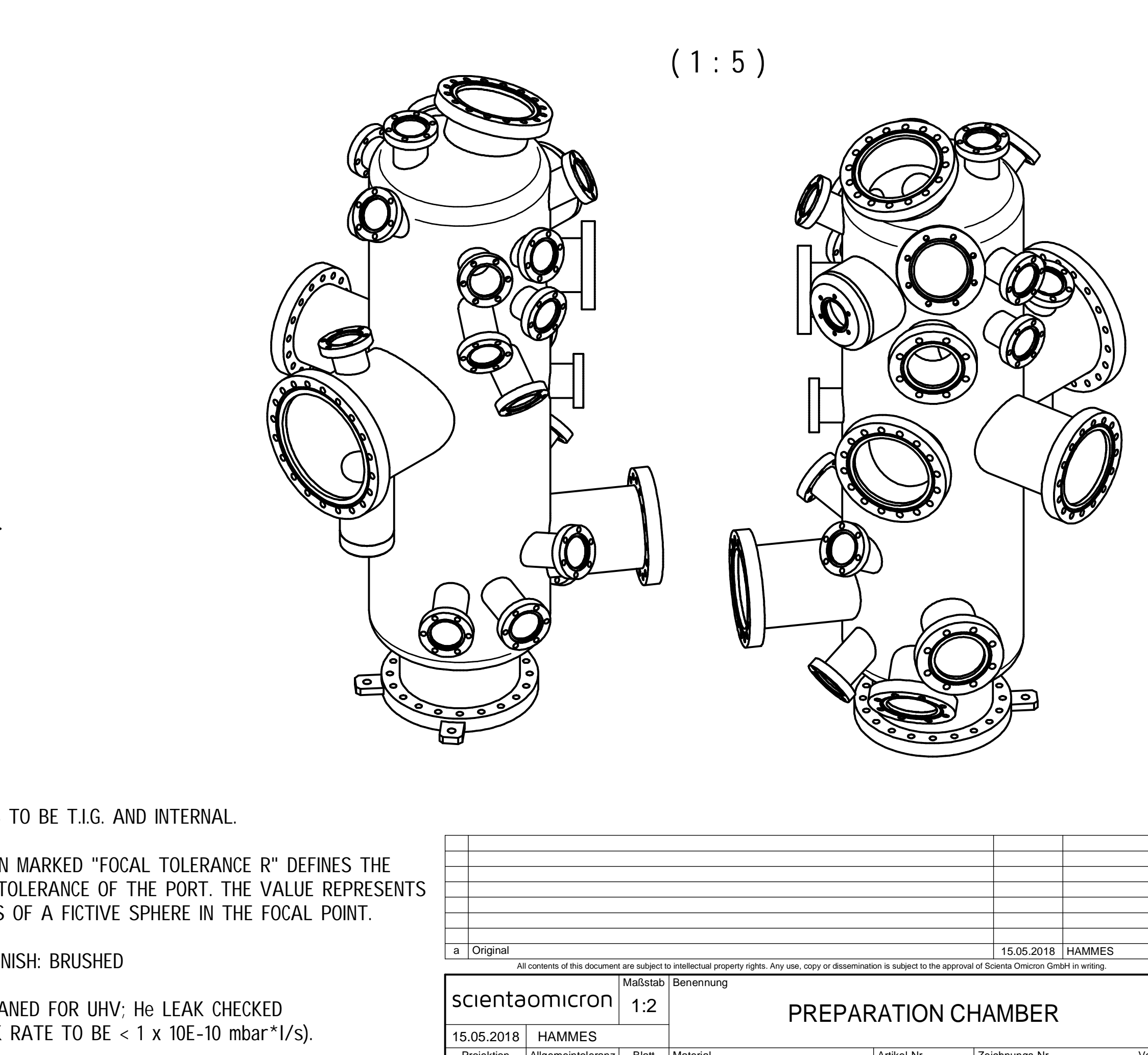
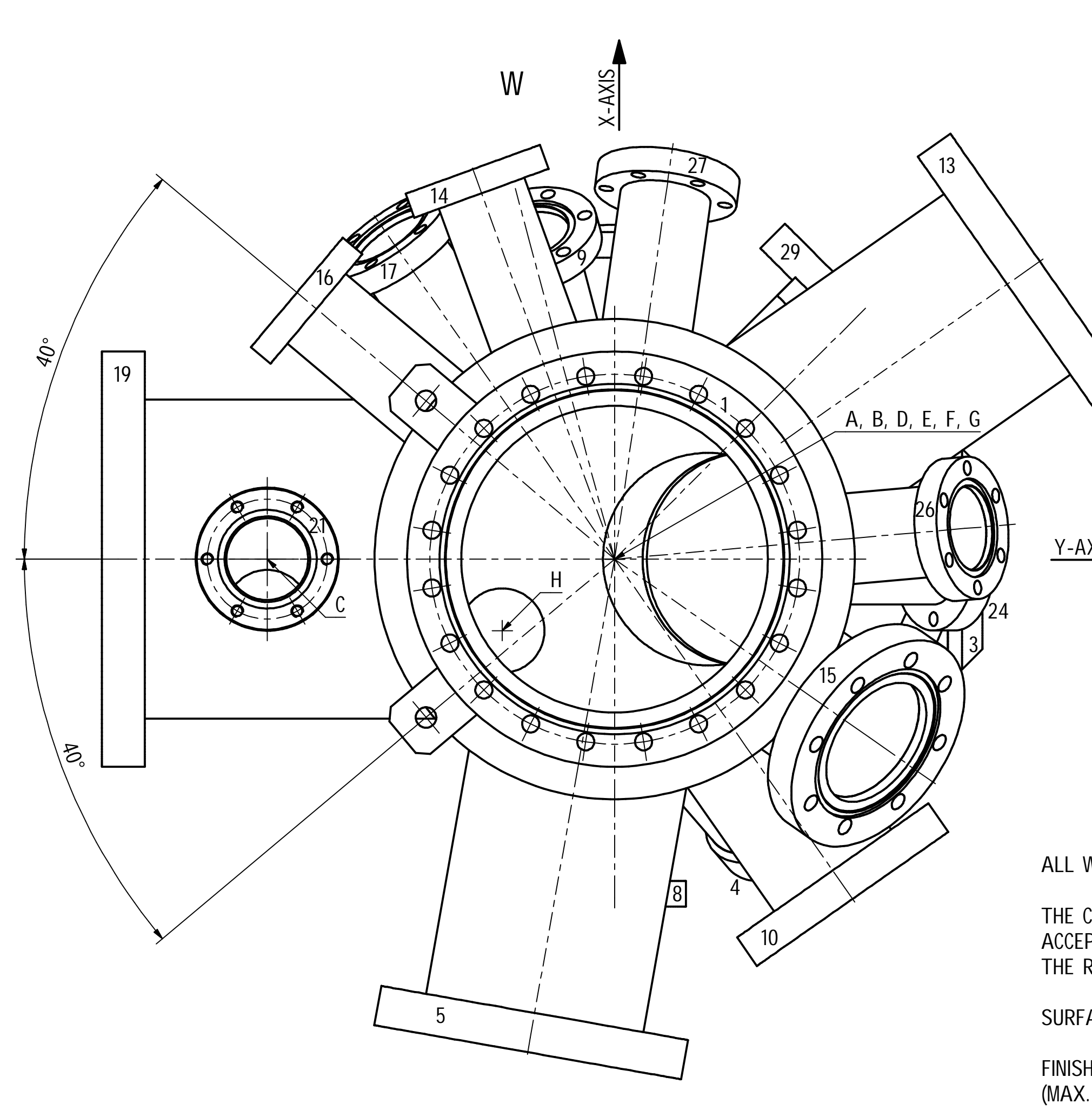
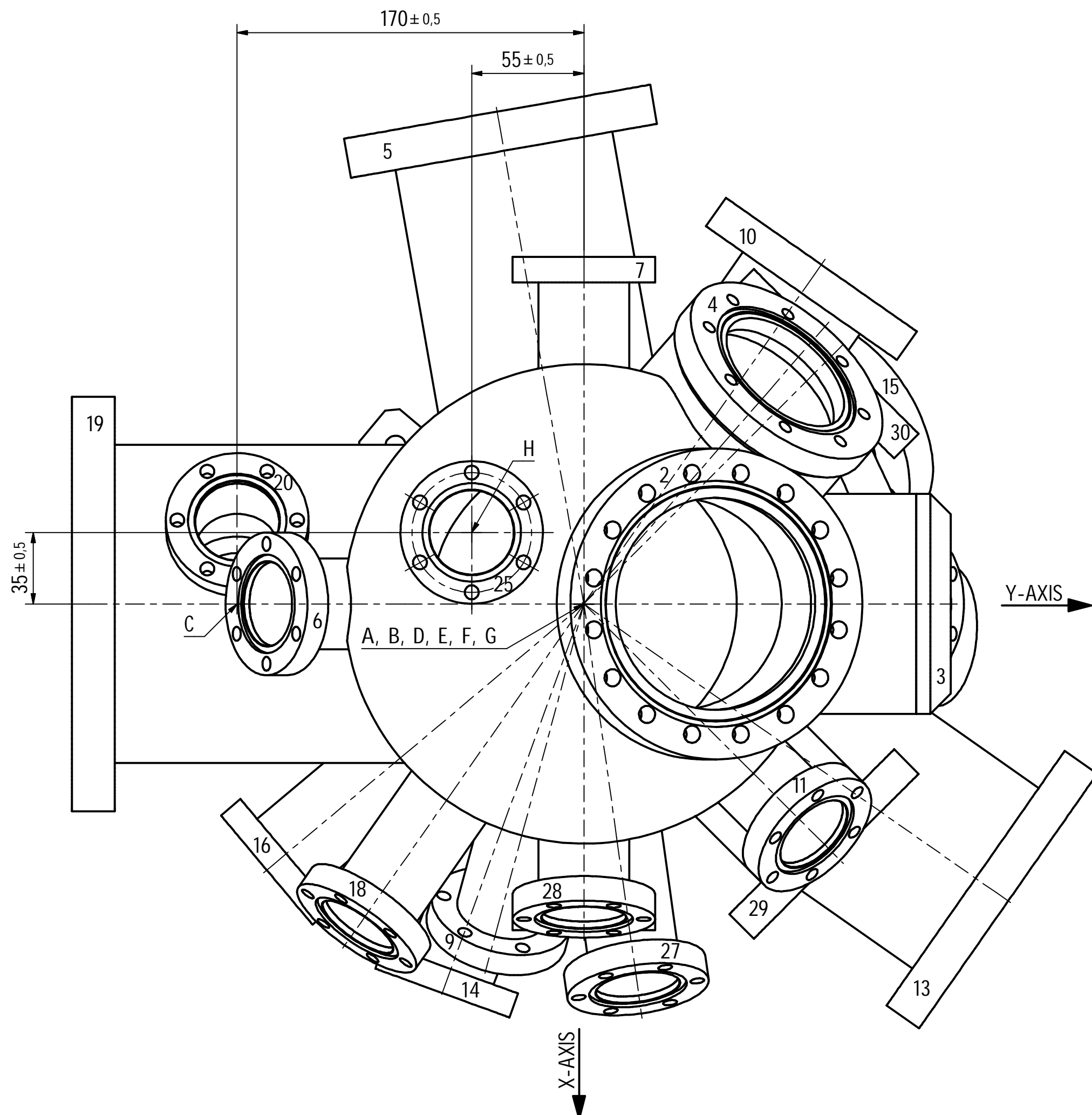


Pos.	Menge	Artikel-Nr.	Benennung	Dokument-Nr.
201	1		SPECIAL FLANGE CF70-108T	751-0024
202	1		SPECIAL FLANGE CF70-108T	750-0209
203	1		SPECIAL FLANGE CF70-70T	702-0040
204	3		BRACKET ION PUMP MESH (TUBE 156 O.D.)	629-0030
205	2		BRACKET CF200 (1 = 10)	750-0207



PORT	FLANGE	FLANGE PROPERTIES	TUBE	PORT LENGTH	FOCAL POINT	PHI	THETA	FOCAL TOLERANCE	USE
	(Ø50/75 3669-2)	IN-LINE / STR-STRADDLED ROT-ROTATABLE / T-TAPPED	O.D. x WALL	±1	±0.5	±0.5	±0.5	R	
1	CF203-156	STR-X	156 x 3	SEE DRG	A	-	180	REF	MANIPULATOR
2	CF152-108	STR-Z	108 x 2	190	G	90	20	2	WOBBLER
3	750-0209	INL-Z 7 T-M6	108 x 2	180	G	90	90	2	WOBBLER
4	751-0024	STR-Z 7 T-M8	108 x 2	175	G	139	60	2	VIEWPORT
5	CF152-108	STR-Z	108 x 2	245	A	190	90	2	LEED
6	CF70-45	STR-Z	44.5 x 1.6	190	G	270	55	2	SPARE
7	CF70-45	STR-Z	44.5 x 1.6	170	D	180	90	2	TRANSFER
8	CF70-45	STR-Z	44.5 x 1.6	170	E	180	90	2	TRANSFER
9	CF70-45	STR-Z	44.5 x 1.6	203	E	345	125	2	GAS DOSER
10	CF14-70	STR-Z	70 x 2	203	F	145	90	2	MONOCHROMATOR
11	CF70-45	STR-Z	44.5 x 1.6	185	G	45	60	2	SPARE
12	CF70-45	STR-Z	44.5 x 1.6	160	E	0	90	SEE DRG	TRANSFER
13	CF152-108	STR-Z	108 x 2	254	F	55	90	0.5	ANALYSER
14	CF70-45	STR-Z	44.5 x 1.6	203	F	340	90	2	X-RAY SOURCE
15	CF14-70	STR-Z	70 x 2	192	F	125	125	2	VIEWPORT
16	CF70-45	STR-Z	44.5 x 1.6	203	F	310	90	2	SPARE
17	CF70-45	STR-Z	44.5 x 1.6	203	G	325	107	2	EVAPORATOR
18	CF70-45	STR-Z	44.5 x 1.6	203	G	325	73	2	EVAPORATOR
19	CFR203-156	ROT	156 x 3	251	B	270	90	2	PUMPING
20	CF70-45	STR-X	44.5 x 1.6	120	C	180	20	2	SPARE
21	702-0040	STR-X 7 T-M6	70 x 2	190	C	180	20	2	ION GAUGE
22	CF152-108	STR-Z	108 x 2	160	A	115	90	2	VIEWPORT
23	CF70-45	STR-Z	44.5 x 1.6	160	A	45	90	2	SPARE
24	CF70-45	STR-Z	44.5 x 1.6	203	F	90	55	2	NEUTRALISER
25	CFR70-45	ROT	44.5 x 1.6	180	H	-	0	2	STORAGE
26	CF70-45	STR-Z	44.5 x 1.6	203	F	85	120	2	OPTICAL ALIGNMENT
27	CF70-45	STR-Z	44.5 x 1.6	203	F	8	70	2	SPARE
28	CF70-45	STR-Z	44.5 x 1.6	160	G	0	75	2	ION SOURCE
29	CF14-70	STR-Z	70 x 2	175	E	45	90	2	QUADRUPOLE
30	CF14-70	STR-Z	70 x 2	175	E	135	90	2	VIEWPORT



ALL WELDS TO BE T.I.G. AND INTERNAL.

THE COLUMN MARKED "FOCAL TOLERANCE R" DEFINES THE ACCEPTED TOLERANCE OF THE PORT. THE VALUE REPRESENTS THE RADIUS OF A FICTIVE SPHERE IN THE FOCAL POINT.

SURFACE FINISH: BRUSHED

FINISH: CLEANED FOR UHV; He LEAK CHECKED (MAX. LEAK RATE TO BE < 1 x 10<sup>-10</sup> mbar<sup>1</sup>/s).

scientaomicron 1:2		HAMMES		15.05.2018	
PROJEKTION		ALGEMEINERZUG		Blatt	
ISO 2768-mH		1/1		ZURICH	
(EN ISO 1302:06)		AD		1.4301	
R218932		ZURICH		750-0203_a	